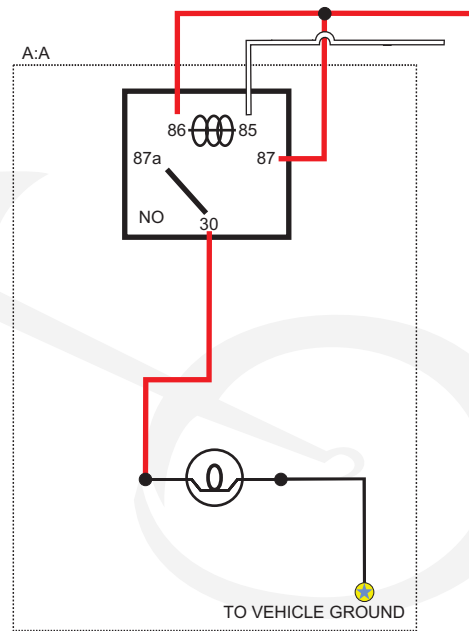


5-PIN RELAY
SPDT40
NO: 40A/14VDC
NC: 30A/14VDC

STANDARD SOCKET
WIRE COLOR

87 - YELLOW
87a - RED
30 - BLUE
85 - WHITE
86 - BLACK



NOTES:

- A. 250-MLATCH IS DESIGNED TO CONVERT ANY MINIATURE NORMALLY OPEN BUTTON SWITCH TO A (ON/OFF) LATCHING BUTTON SWITCH
- B. THE CIRCUIT IS DESIGNED TO SUPPORT UP TO TWO BUTTONS CONTROLLING TWO SEPARATE DEVICES
- C. REQUIRES ONE FIVE PIN RELAY FOR EACH DEVICE (SOLD SEPARATELY) TO DRIVE THE DEVICE FROM THE SOURCE
- D. FOR QUESTIONS RELATED TO THIS SCHEMATIC, CONTACT TECHNICAL SUPPORT @ TECH@CUSTOMRAIDER.NET

CUSTOMRAIDER

www.customraider.net

250-MLATCH WIRE UP		LATCH CIRCUIT MOM N/O BUTTON	
REV	DATE	REV	DATE
1	08/12/2010	1	08/12/2010
250-MLATCH		A	